

Test and check hyperbaric chamber operation

APPLICATION C202

Type of Company: Medical Center

Location: Utah

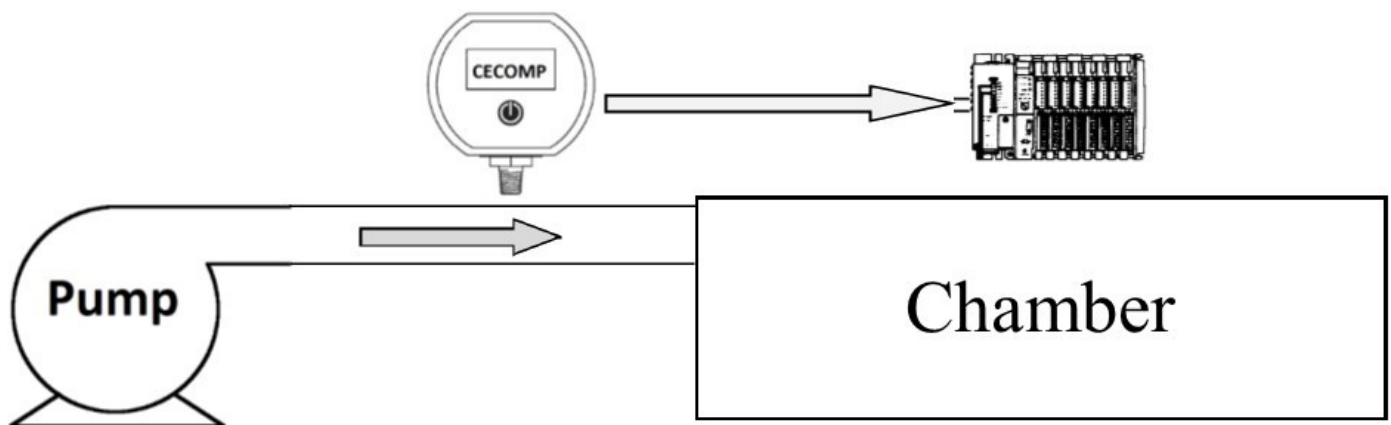
Hyperbaric oxygen therapy is a type of treatment for patients with chronic wounds, tissue damage from radiation, and certain infections, as well as for those with emergency conditions such as carbon monoxide poisoning, diving accidents, and gas embolism. It uses a special pressure chamber as a means of delivering 100% oxygen in order to increase the amount of oxygen in the blood. The air pressure inside a hyperbaric oxygen chamber is about two and a half times higher than the normal pressure in the atmosphere. This helps blood carry more oxygen to organs and tissues in the body.



Photo by OpenStax College-Anatomy & Physiology

The Engineering Issue

- The technician/engineer must perform a weekly test to ensure that the chamber is operating properly.
- The engineer has a requirement for an accurate visual indication and an analog output of the chamber's pressure to the PLC throughout the test.



The engineer used a Cecom Ultra-Ruggedized DPG1000DR gauge. This gives the technician an accurate visual readout of the pressure with a 4-20 mA output to the PLC.

Problem. Solved.